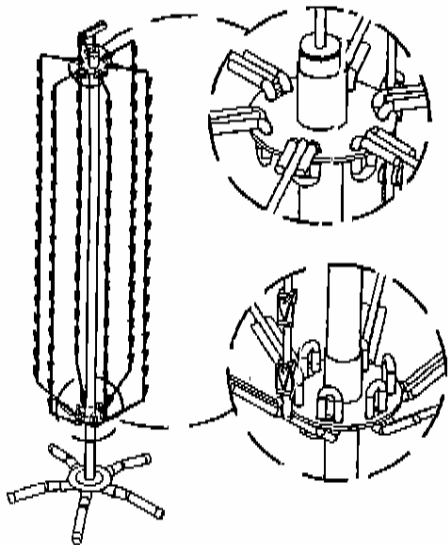


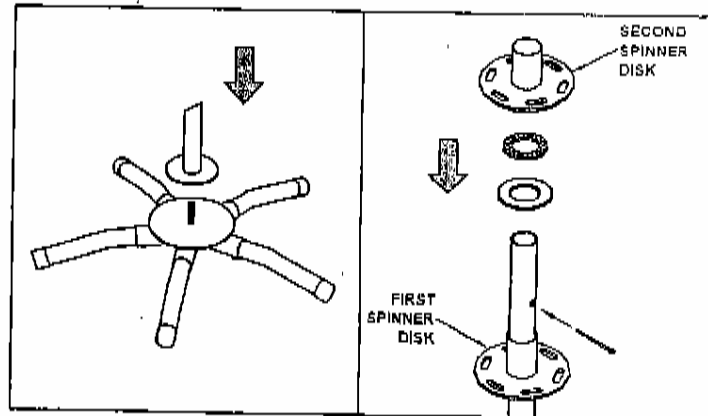
ITEM	DESCRIPTION	QTY
A	BASE HUB	1
B	LEGS	5
C	CENTER POLE	1
D	SPINNER DISK	2
E	CLIP STRIP	6
F	SIGN HOLDER SET	1
	HARDWARE	
H1	COTTER PIN	1
H2	BALL BEARING KIT	1



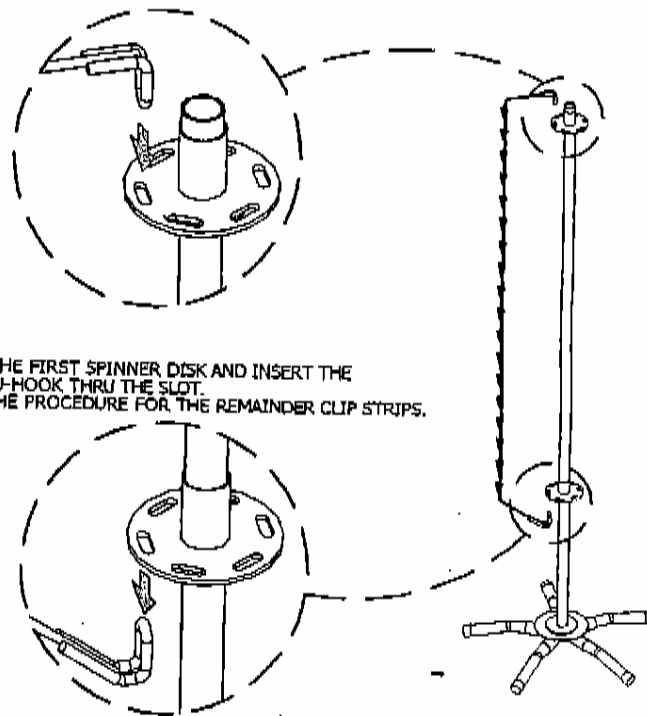
## ITEM # 21-618

### FOLLOW ASSEMBLY INSTRUCTIONS CAREFULLY.

- 1) CAREFULLY REMOVE ALL COMPONENTS FROM BOX AND INSPECT FOR DAMAGES.
- 2) RETRIEVE THE BASE HUB (ITEM A) AND THE LEGS (ITEM B).  
PRESS AND HOLD THE BUTTON LOCATED ON THE UNDERSIDE OF A LEG THEN SLIDE IT INTO THE HOLED TUBING ON THE BASE HUB.  
REPEAT PROCEDURE WITH THE OTHER FOUR LEGS.
- 3) RETRIEVE THE CENTER POLE (ITEM C) AND SCREW THE FLANGE SIDE TO THE BASE ASSEMBLY.



- 4) RETRIEVE THE FIRST SPINNER DISK (ITEM D) AND SLIDE TO THE POLE UNTIL IT RESTS TO THE BASE.
- 5) INSERT A COTTER PIN (ITEM H1) INTO THE HOLE ON THE CENTER POLE.
- 6) SLIDE THE BALL BEARING ASSY (ITEM H2) DOWN THE POLE UNTIL IT RESTS ON THE PIN.
- 7) SLIDE THE SECOND SPINNER DISK (ITEM D) ONTO THE BALL BEARING.
- 8) THE CLIP STRIP (ITEM E) CONTAINS U-HOOK ON BOTH ENDS. THE SPINNER DISKS CONTAIN A SERIES OF SLOTS ON ITS EDGE.  
- INSERT THE U-HOOKS INTO THE SLOTS AT TOP TO REST.  
REPEAT PROCEDURE FOR THE REMAINDER CLIP STRIPS.



- 9) THE TOP OF THE CENTER POLE HAS A HOLED PLASTIC CAP. DROP THE STEM OF THE SIGNHOLDER (ITEM F) IN THIS HOLE.