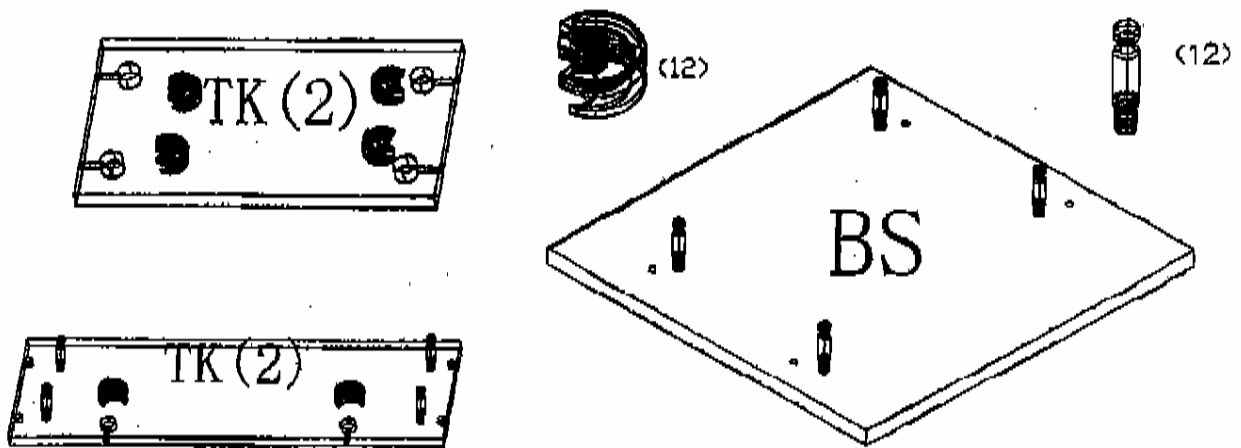


PARTS LIST



TOOLS REQUIRED

